

evox

Powerful and precise for perfect welding

The **precise and reliable** welding solution that effortlessly delivers **superior welding quality** even on the **most demanding metals**.



TOP PERFORMING ON ALL METALS

Superior welding quality **even on reflective materials** such as **silver and platinum**.



RELIABILITY MADE IN ITALY

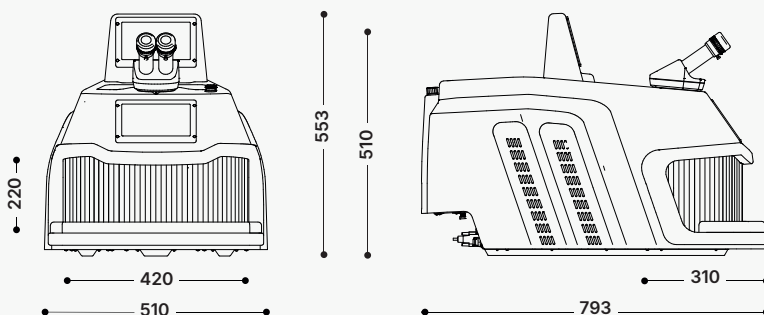
The **reliability and durability** of Italian design in a machine that is **compliant with the highest safety standards**.



EASY TO USE

Intuitive graphical interface and included video library to **facilitate usage even for the less experienced operators**.

Compact and robust



*dimensions in mm

Discover all our machines, stay connected!



[f](#) [yt](#) [ig](#) [in](#)

REQUEST A QUOTE

sales@orotig.com

more information on orotig.com

FEATURES



MADE IN ITALY

Leica microscope

Leica 45° stereo microscope with 10x optical zoom and right-eye crosshair.

IUVAPS™ sanitizing system

Constant sanitisation of the environment thanks to the patented IUVAPS™ system, which eliminates dust and pathogens.

Large welding chamber with adjustable LED

Large welding chamber with a usable volume of 27.2 l, ensuring operator comfort and efficiency. Features an adjustable LED lighting system to facilitate welding on reflective metals.



Intuitive interface

7" display with color IPS display and 75° viewing angle. The metal/type of processing matrix simplifies parameter settings for the operator; additionally, the display allows real-time monitoring of the machine's status.

Preset programs

Possibility of viewing and recording welding operations and dynamically setting the work program, choosing it from a library of preset programs.

Integrated camera

Enables real-time viewing of the welding process directly on the display, with the ability to record and later play them on the screen.

Connectivity and Wi-Fi

Telemetry for easy assistance and remote updates.

TECHNICAL DATA

Evo X

CRYSTAL TYPE	Nd:YAG @ 1064
PULSE POWER	225 J
PULSE DURATION	25 ms
PEAK PULSE POWER	9.0 kW
AVERAGE POWER	90 W
PULSE FREQUENCY	0 - 40 Hz
ELETRICAL	115 - 230 VAC ± 10%, 1+N ph, 50/60 Hz, 1.8 kW
FOCAL DIAMETER	0.1 to 2 mm
COMMAND ACCESS	External with 7" capacitive touch screen display, internal with rotary switch
COOLING SYSTEM	Liquid cooled (4 l) with forced ventilation
WEIGHT	41 kg

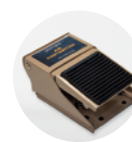
ACCESSORIES



DYNASCOPE HEAD



ADJUSTABLE MICROSCOPE STAND (5° - 25°)



PNEUMATIC FOOTSWITCH



INTERNAL WRIST REST



ADJUSTABLE HEIGHT TABLE



SMART FOOTSWITCH

★ PATENTED SYSTEM



WELDER PROTECTIVE COVER