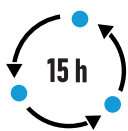


revoX

Powerful and reliable for excellent performance

Thanks to its high frequency, peak power, and cutting-edge cooling system, the **Revo X** is our **highest-performing welder**, designed for **demanding production cycles**. The series includes the **Revo X+** model, which allows for **higher frequencies** and enables faster, more challenging welding operations, and the **Revo X²**, which, with a **pulse power** of up to **280J**, is ideal for **high-intensity applications**.



MAXIMUM PRODUCTIVITY

Improved working cycle for **+15 hours of continuous welding**.



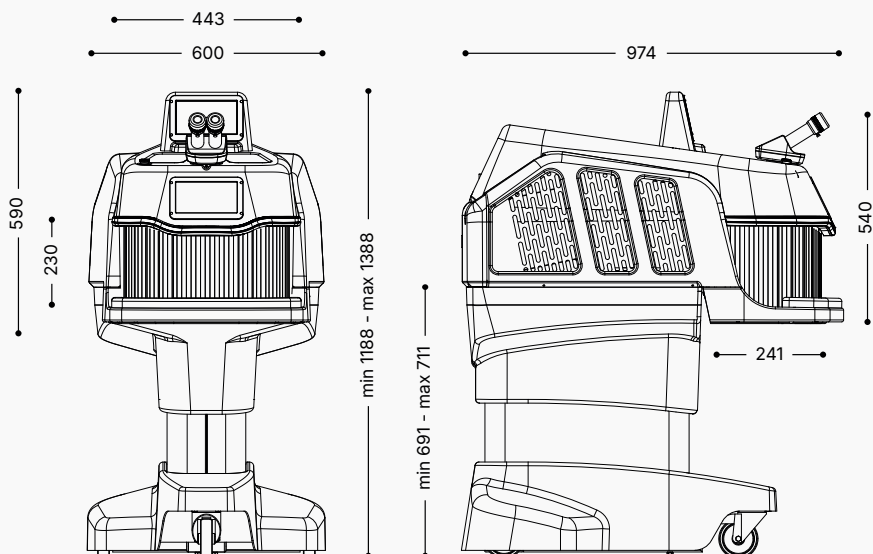
HIGH PERFORMANCE

It easily welds on continuous working cycle even demanding **metals such as silver and platinum**.



THREE MODELS AVAILABLE

Engineered with **distinct electronic and optical configurations** to cater to diverse precision and productivity needs.



*dimensions in mm

Discover all our machines, stay connected!



[f](#) [v](#) [@](#) [in](#)

REQUEST A QUOTE

sales@orotig.com

more information on orotig.com

FEATURES



MADE IN ITALY

Leica microscope

Leica 45° stereo microscope with 10x optical zoom and right-eye crosshair.

IUVAPS™ Sanitizing system

Constant sanitisation of the environment thanks to the IUVAPS™ system, which eliminates dust and pathogens.

Welding chamber with removable bottom

Welding chamber with wide access and possibility of removing the bottom for easy welding even on large workpieces.

Height-adjustable motorized stand

Height-adjustable wheeled motorized stand, engineered to improve operator ergonomics and facilitate effortless mobility.



Intuitive interface

7" color display with an intuitive interface and preset parameters, with the possibility to view and record jobs and dynamically set work schedules.

Improved performance

Water cooling system with 8 l tank and double radiator that allow the machine to operate on a continuous cycle.

Connectivity and Wi-Fi

Telemetry for easy assistance and remote updates.

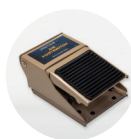
TECHNICAL DATA

	Revo X	Revo X ⁺	Revo X ²
CRYSTAL TYPE	Nd:YAG @ 1064	Nd:YAG @ 1064	Nd:YAG @ 1064 [x 2]
PULSE POWER	240 J	240 J	280 J
PULSE DURATION	25 ms	25 ms	25 ms
PEAK PULSE POWER	10.0 kW	10.0 kW	12.0 kW
AVERAGE POWER	90 W	120 W	150 W
PULSE FREQUENCY	0 - 40 Hz	0 - 40 Hz	0 - 40 Hz
ELECTRICAL	230 VAC ± 10%, 1P + N + PE, 50/60 Hz, 2.2 kW (X and X ⁺) / 3.6 kW (X ²)		
FOCAL DIAMETER	0.1 to 2 mm	0.1 to 2 mm	0.2 to 2 mm
COMMAND ACCESS	External with 7" capacitive touch screen display, internal with rotary switch		
COOLING SYSTEM	Forced air with double circuit, 8 l liquid and double radiator		
WEIGHT	65 kg	75 kg	75 kg

ACCESSORIES



HANDRAIL HATCH



PNEUMATIC FOOTSWITCH



ADJUSTABLE MICROSCOPE STAND (5° - 25°)



SMART FOOTSWITCH
★ PATENTED SYSTEM



DYNASCOPE HEAD



INTERNAL WRIST REST



WELDER PROTECTIVE COVER